



engines, inc.
Reliability At Work

5400 C.W. Post Road
P.O. Box 16660
Jonesboro, AR 72403

Toll Free: 800.562.8049
Voice: 870.268.3700
Fax: 870.268.3750

Conroe, Texas
Voice: 936.441.5592
Fax: 936.441.5594

2009 YANMAR POWERED GENERATOR SETS



Yanmar GenSet

EFFECTIVE JANUARY 10, 2009 ENGINES, INC.
YANMAR POWERED GENERATOR SETS

YANMAR POWERED GENERATOR SETS

BASE EQUIPMENT

Heavy-duty water-cooled YANMAR engine series TNV • 12-lead continuous duty COLISEUM generator • Oversized able to operate single or three phase at full power • Insulation class H, vacuum impregnated and tropicalized • Sound attenuated and weather-proof housing (NEMA 3R) • Lockable doors and control panel window • Lockable door on top of enclosure for filling radiator fluid • Four lifting eyes for lifting complete gen set • Rugged steel welded base fuel tank for 24-hrs operation • *Warranty

CONTROL PANEL



*Optional Voltage Selector Switch
(Only available on 18/22/37/44)*

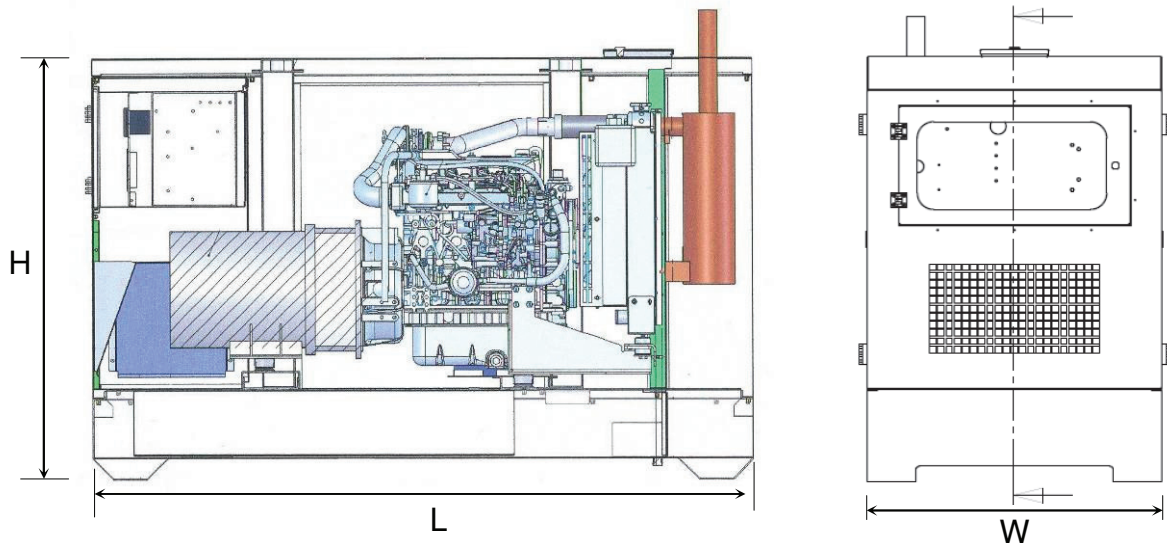
When reliability is critical for your bottom line you can rest assured that our power packages consistently exceed the requirements of performing day in and day out, even under adverse conditions. You can also take confidence in the fact that when you choose an **engines, inc.** package you get more than just an engine. You get a power unit you can rely on and a reliable customer support structure that stands behind it.

That's Reliability At Work!

* All power units carry a 1 year warranty on all components against defects and faulty workmanship. diesel engines carry a 2 year -- 2000 hour warranty on same.

WARRANTY DOES NOT COVER ABUSE OR IMPROPER MAINTANCE.

**A reliable source of power,
a consistent source of confidence.**



| POWER | CGS14 | CGS18 | CGS22 | CGS37 | CGS44 |
|--|-----------------------|------------------------|------------------------|------------------------|------------------------|
| 1 ø Continuous Duty | 12.6 kW | 17 kW | 21 kW | 32 kW | 40 kW |
| 1 ø Standby Duty | 13.8 kW | 18.5 kW | 23.5 kW | 36.5 kW | 45 kW |
| 1 ø Power Factor | 1 | 1 | 1 | 1 | 1 |
| 3 ø Continuous Duty | 12.6 kW | 17 kW | 21 kW | 32 kW | 40 kW |
| 3 ø Standby Duty | 13.8 kW | 18.5 kW | 23.5 kW | 36.5 kW | 45 kW |
| 3 ø Power Factor | 0.8 | 0.8 | 0.8 | 0.8 | 0.8 |
| GENERATOR HEAD | | | | | |
| Model | GB20 | GB25 | GB30 | GB50 | GB60 |
| kW 3 phase Rating | 20 kW | 25 kW | 30 kW | 50 kW | 60 kW |
| Number of Stator Leads | 12 | 12 | 12 | 12 | 12 |
| Frequency | 60 Hz | 60 Hz | 60 Hz | 60 Hz | 60 Hz |
| Running Speed (RPM) | 1800 | 1800 | 1800 | 1800 | 1800 |
| Temperature Rise | 105°C | 105°C | 105°C | 105°C | 105°C |
| Ambient Temperature | 40°C | 40°C | 40°C | 40°C | 40°C |
| Insulation Class | H 180°C | H 180°C | H 180°C | H 180°C | H 180°C |
| ENGINE | | | | | |
| Model | 3TNV88-BGGE | 4TNV88-BGGE | 4TNV84T-BGGE | 4TNV98-ZGGE | 4TNV98T-ZGGE |
| Power Rating ISO 3046(ICN) | 14.7 kW | 19.6 kW | 24.2 kW | 36.4 kW | 45.6 kW |
| PRP Prime Power | 1800 RPM | 1800 RPM | 1800 RPM | 1800 RPM | 1800 RPM |
| Power Rating ISO 3046(IFN) | 16.2 kW | 21.6 kW | 26.8 kW | 40.8 kW | 50.6 kW |
| LTP Limited Time Power | 1800 RPM | 1800 RPM | 1800 RPM | 1800 RPM | 1800 RPM |
| Number of Cylinders | 3 | 4 | 4 | 4 | 4 |
| Bore / Stroke (mm) | 88 / 90 | 88 / 90 | 84 / 90 | 98 / 110 | 98 / 110 |
| Displacement (cc) | 1642 | 2189 | 1995 | 3319 | 3319 |
| Fuel Consumption per Hour, 100 % | 1.0 gal (3.75 l) | 1.33 gal (4.96 l) | 1.53 gal (6.12 l) | 2.30 gal (8.71 l) | 2.50 gal (9.47 l) |
| Fuel Tank Capacity, Double-Walled | 30 gal (114 l) | 39.5 gal (150 l) | 39.5 gal (150 l) | 61 gal (231 l) | 61 gal (231 l) |
| Starting System, Electrical | 1.2 kW 12 V | 1.4 kW 12 V | 1.4 kW 12 V | 2.3 kW 12 V | 2.3 kW 12 V |
| EPA Approved | YES | YES | YES | YES | YES |
| ENCLOSURE | | | | | |
| Enclosure Protection | NEMA 3R | NEMA 3R | NEMA 3R | NEMA 3R | NEMA 3R |
| Soundproofing dB at 1 m | ≤ 80 dB | ≤ 80 dB | ≤ 80 dB | ≤ 80 dB | ≤ 80 dB |
| L x W x H (inches) | 68 x 31.5 x 48.5 | 76.7 x 35.4 x 48.5 | 76.7 x 35.4 x 48.5 | 84.6 x 35.4 x 48.5 | 84.6 x 35.4 x 48.5 |
| L x W x H (mm) | 1750 x 800 x 1232 | 1950 x 900 x 1232 | 1950 x 900 x 1232 | 2150 x 900 x 1232 | 2150 x 900 x 1232 |